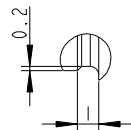
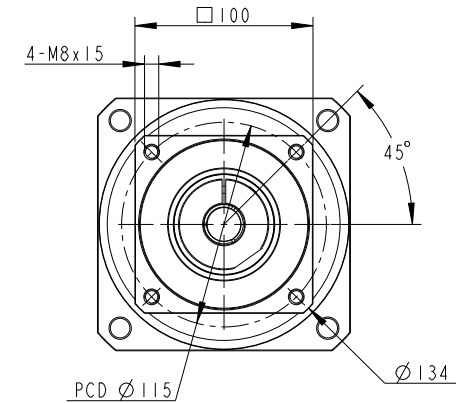
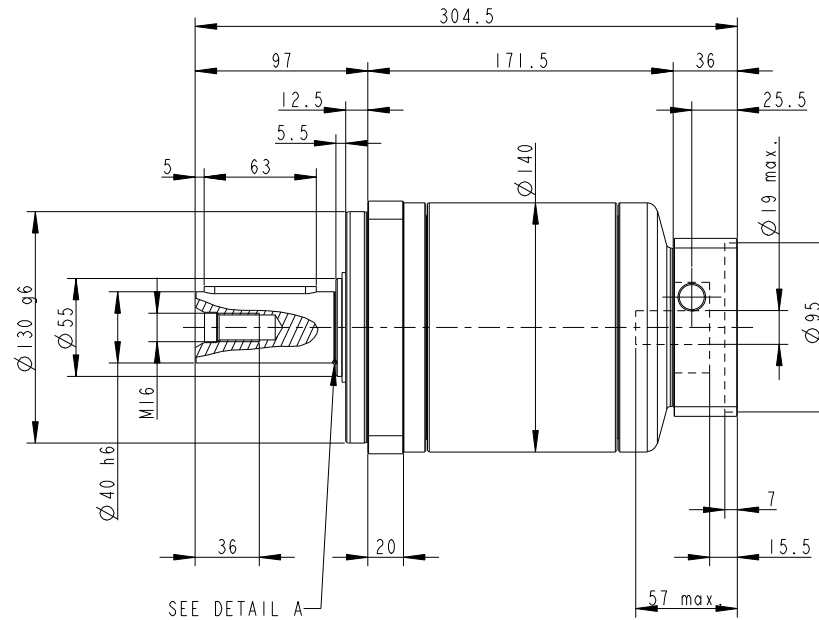
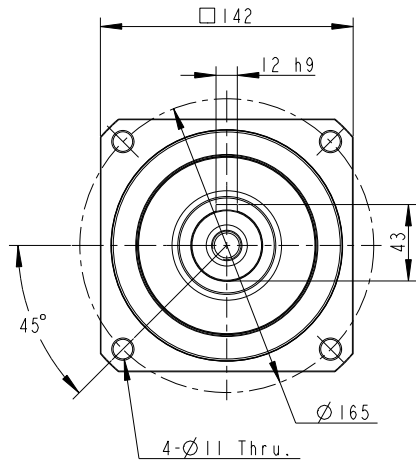

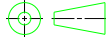


PA II 142 - 040 - S2 / OMRON R88M-K1K030(F/C)



DETAIL A
SCALE 12:1

INERTIA: 2 ~ 2.5 kg-cm²
MASS: 15.1 Kg

PART NO. PA2-142_2ST_19-P0411401701 AD-PE2-S19-M100-1		 APEX DYNAMICS, INC.		
APPROVALS	DATE	TITLE PA2-142_2 Stages_S19 , RATIO= 12-100 AND MOTOR FLANGE MOUNTING		
DRAWN 沈正義		DWG NO. PA2-142_2ST_19-P0411401701		
CHECKED				
APPROVED		 SIZE A0	SCALE 1:1	REV