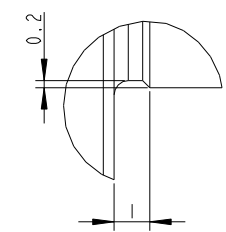
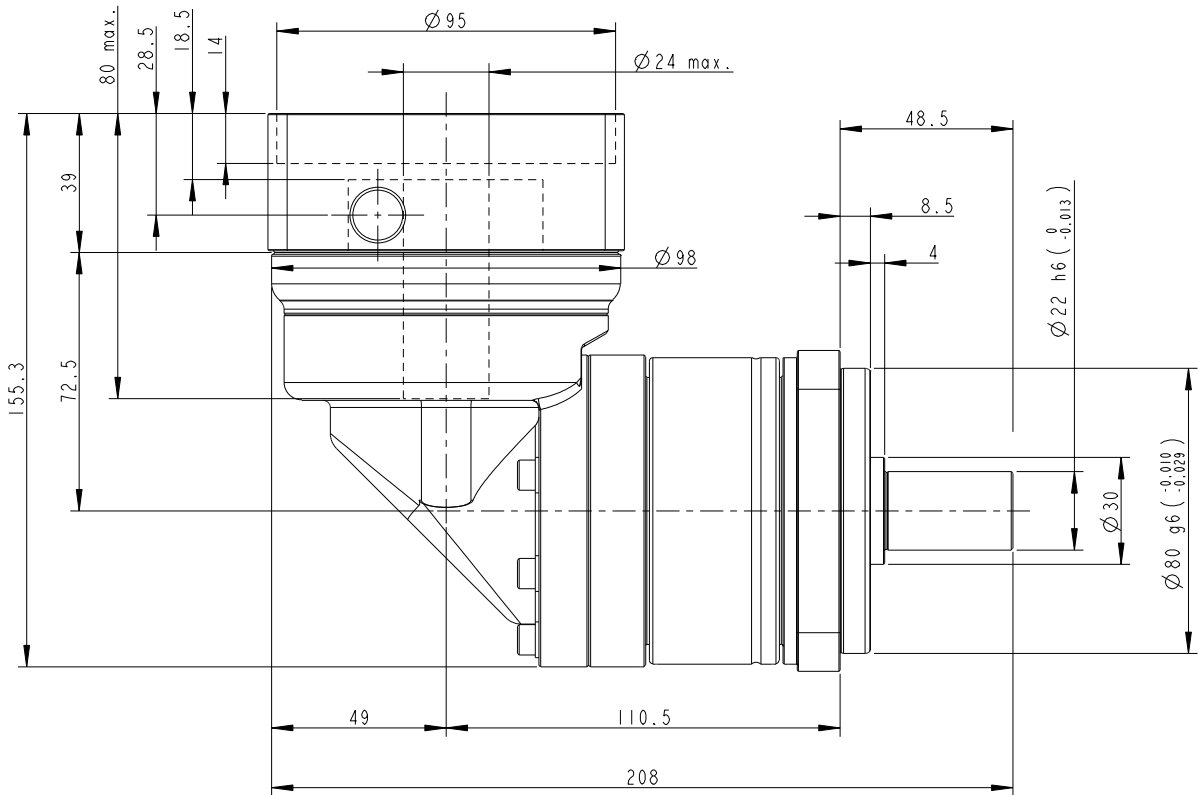
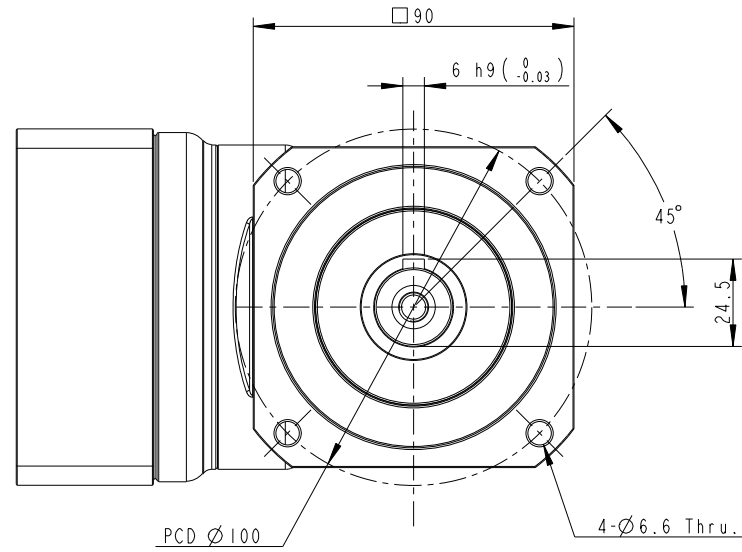
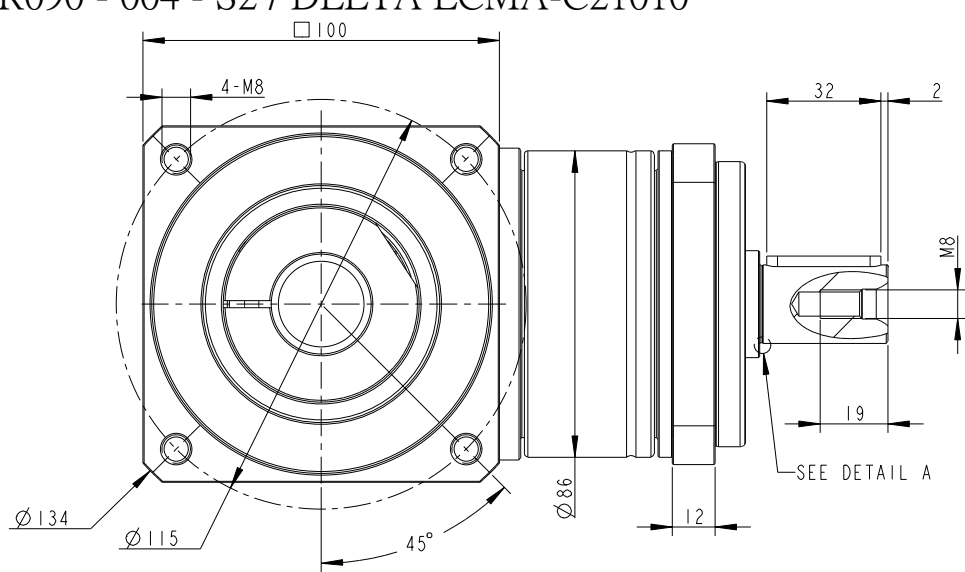




PA II R090 - 004 - S2 / DELTA ECMA-C21010



DETAIL A
SCALE 10:1

INERTIA: 2.97 kg-cm²
MASS: 4.5 Kg

PART NO. PA2R-090_1ST_24-P0411500402 AD-PE2-S24-M100-2		 APEX DYNAMICS, INC.	
APPROVALS	DATE	TITLE PA2R-090_1 Stage_S24 , RATIO= 3-10 AND MOTOR FLANGE MOUNTING	
DRAWN 蔡耀雄		DWG NO. PA2R-090_1ST_24-P0411500402	
CHECKED			SIZE A2
APPROVED			SCALE 1:1
			REV