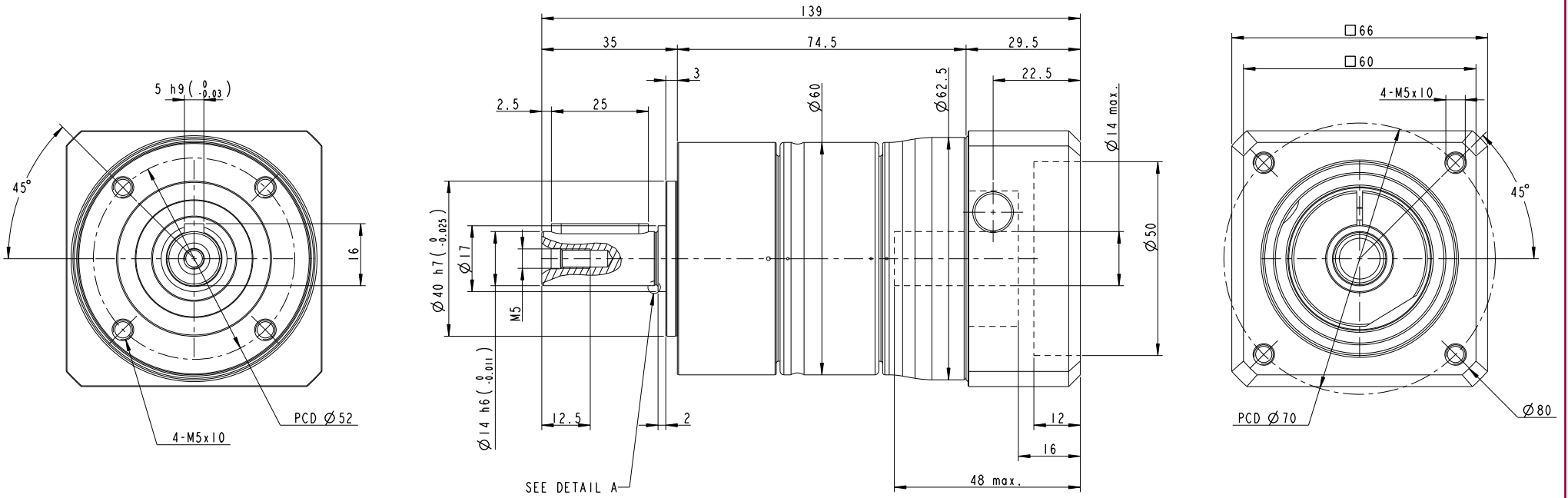
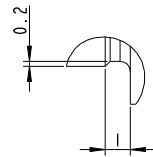


PG II 060 - 010 / KINCO SMH60S-0020-30AAK-3LKL


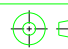


SEE DETAIL A



DETAIL A  
SCALE 5:1

INERTIA: 0.02 ~ 0.03 kg-cm<sup>2</sup>  
MASS: 1.4 Kg

PART NO. PG2-060_IST_14-P0411300503 AD-PE2-S14-M60-3		 <b>APEX DYNAMICS, INC.</b>		
APPROVALS	DATE	TITLE PG2-060_1 Stage_S14 , RATIO= 3-10 AND MOTOR FLANGE MOUNTING		
DRAWN Cindy		DWG NO. PG2-060_IST_14-P0411300503		
CHECKED				
APPROVED		 SIZE A3	SCALE 1:1	REV