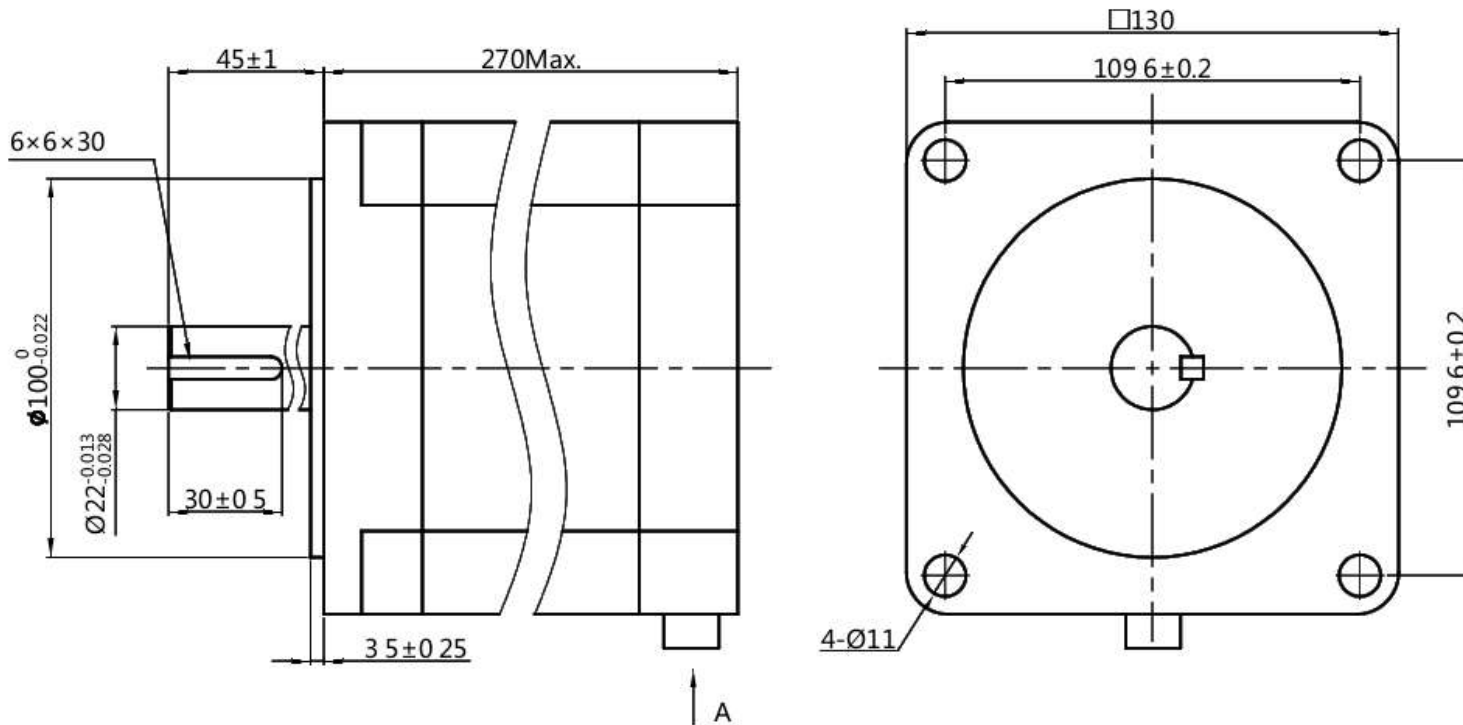
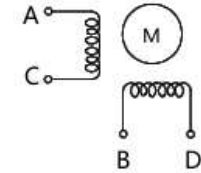


# HYBRID STEPPING MOTOR



## Wiring Diagram

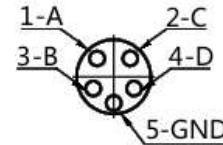
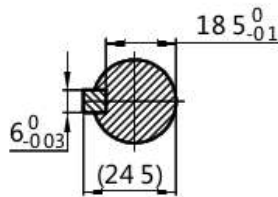


## Exciting Sequence vs. Direction of Rotation

| STEP | A | B | C | D | Direction |
|------|---|---|---|---|-----------|
| 1    | + | + | - | - | CCW ↑     |
| 2    | - | + | + | - |           |
| 3    | - | - | + | + |           |
| 4    | + | - | - | + |           |

CW ↓

Clockwise view from mounting side



|                        |                          |
|------------------------|--------------------------|
| 1. Number of Phase     | 2                        |
| 2. Step Angle          | 18° deg.                 |
| 3. Rated Voltage       | 80 - V                   |
| 4. Rated Current/Phase | 7 A ( Peak Value )       |
| 5. Phase Resistance    | 0,66 - Ω±0.1(20°C)       |
| 6. Phase Inductance    | 10 - mH±20%(1kHz 1V RMS) |
| 7. Holding Torque      | 50 N m                   |
| 8. Insulation Class    | B (130°) ; 80K Max.      |
| 9. Weight              | 22,5 - kg                |

|         |                  |       |     |              |
|---------|------------------|-------|-----|--------------|
| Type    | Stepping motor   |       |     |              |
| Model   | GD130DT270-7004A |       |     |              |
| Website | shop.giden.ru    |       |     |              |
| Email   | sale@giden.ru    |       |     |              |
| REV.    | A                | SCALE | 1:2 | SHEET 1 of 1 |