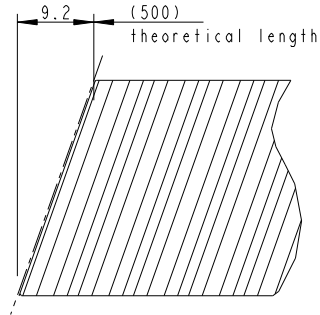


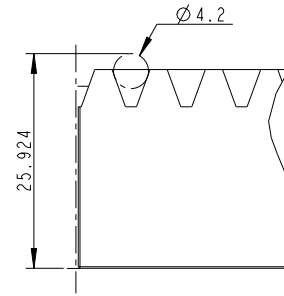


APEX DYNAMICS, INC.

Ordering code	0208R050C10	
Module	2	
Number of Teeth	75	
Pressure angle	20°	
Helix angle	19° 31' 42" RH	
Quality	Q8	
Total Pitch Error (um)	GTf	57



SCALE 5:1



SCALE 5:1

