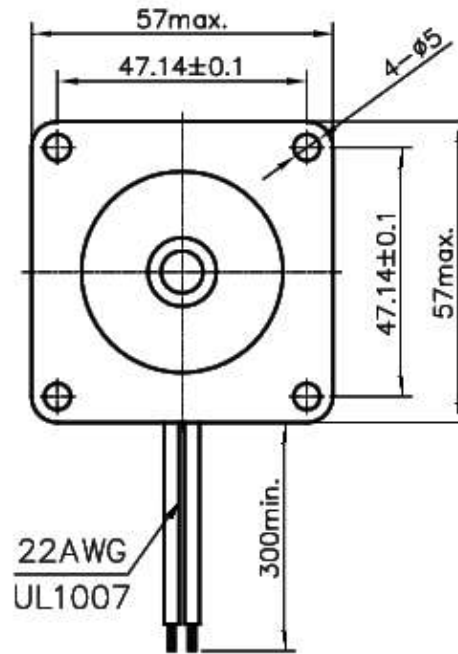
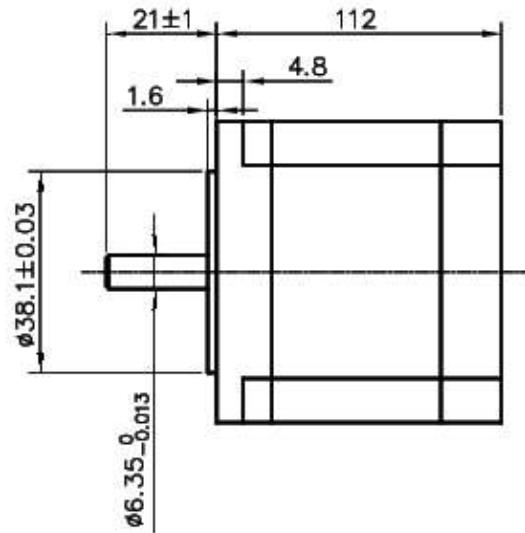
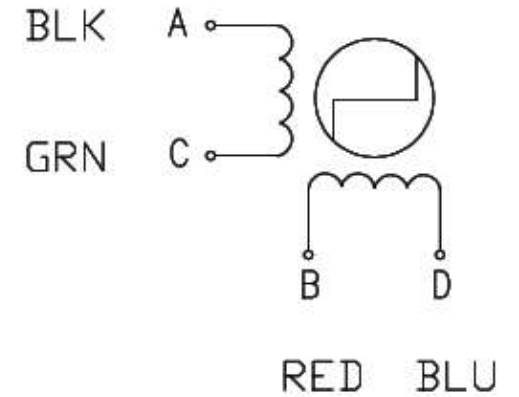


Dimension:
Unit=mm



Wiring Diagram:



Specifications:

Phase	2		Comment
Step Angle	1.8	deg.	
Voltage	6.3	V	
Current	3	A	
Resistance	2.1±10%	Ω	
Inductance	9±20%	mH	
Holding Torque	30	kg.cm	
Insulation Class	B		
Mass	1.5	kg	

Type	Stepping motor			
Model	57BYGH115-003 (shaft 6,35mm)			
Website	shop.giden.ru			
Email	sale@giden.ru			
REV.	A	SCALE	1:2	SHEET 1 of 1