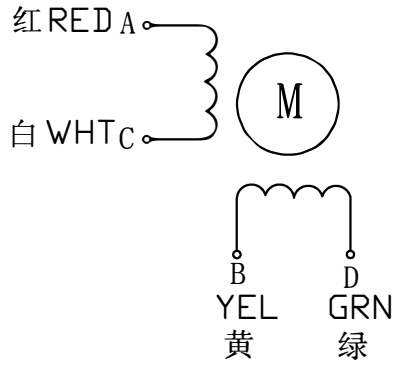
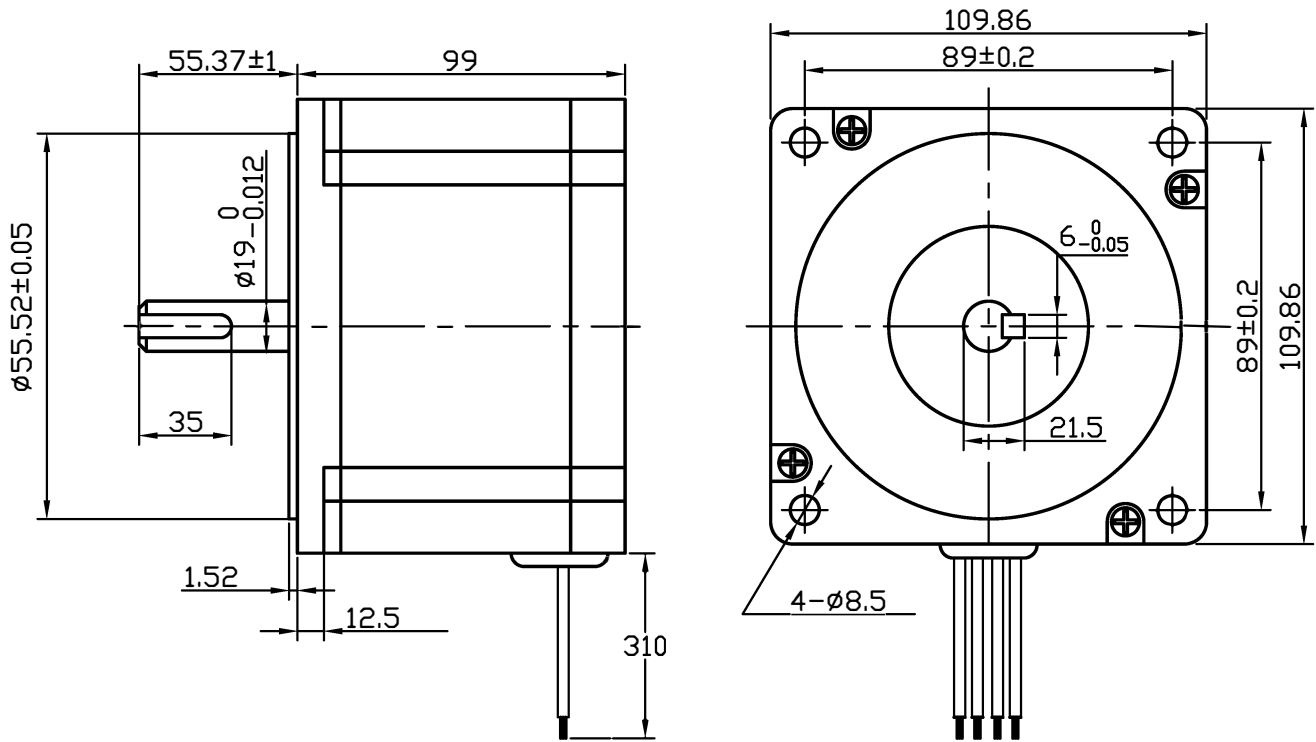


HYBRID STEPPING MOTOR MOD. GD110STH99-5504A

Wiring Diagram:



Dimensions:
(unit=mm)



Electrical Specifications

STEP ANGLE	1.8 ° /STEP	COMMENT
RATED VOLTAGE	4.95 V	
CURRENT	5.5 A/PHASE	
RESISTANCE	0.9 Ω /PHASE	
INDUCTANCE	12 mH/PHASE	
HOLDING TORQUE	11.7 N.m	
INSULATION CLASS	B	
WEIGHT	5Kg	

更改	数量	更改单号	签名	日期
拟制				
审核				
批准				

GD110STH99-5504A