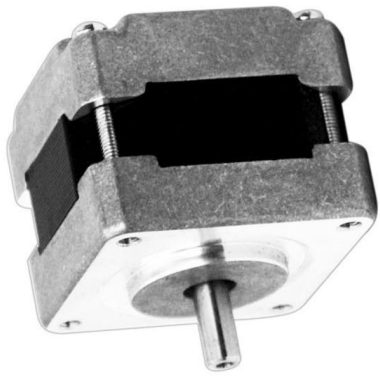


1.8° 39MM Hybrid Stepping Motor

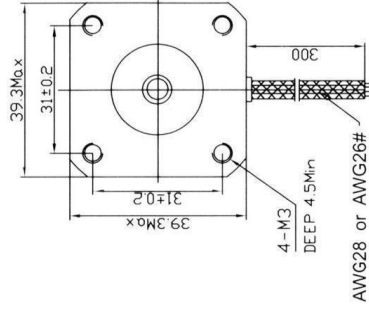
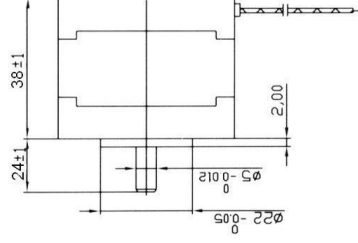
Item	Specifications
Step Angle	1.8°
Step Angle Accuracy	±5% (full step, no load)
Resistance Accuracy	±10%
Inductance Accuracy	±20%
Temperatru Rise	80°CMax. (rated current, 2 phase on)
Ambient Temperatuar	-20°C~+50°C
Insulation Resistance	100M?Min., 500VDC
Dielectric Strength	500VAC/ for one minute
Shaft Radial Play	0.02Max. (450 g-load)
Shaft Axial Play	0.08Max. (450 g-load)
Max. radial force	28N (20mm foom the flange)
Max.axial force	10N



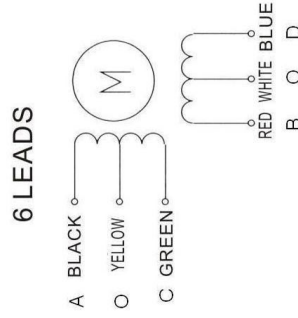
● 39MM Hybrid Stepping Motor Specifications

Model No	Rated Voltage	Current /Phase	Resistance /Phase	Inductance /Phase	Holding Torque	# of Leads	Rotor Inertia	Weight	Length
GD39ST38-0806A	V	A	Ω	mH	g-cm		g-cm ²	kg	mm
	6	0.8	7.5	6	2000	6	24	0.2	38

● Dimension



● Wiring Diagram



● Pull out Torque Curve

