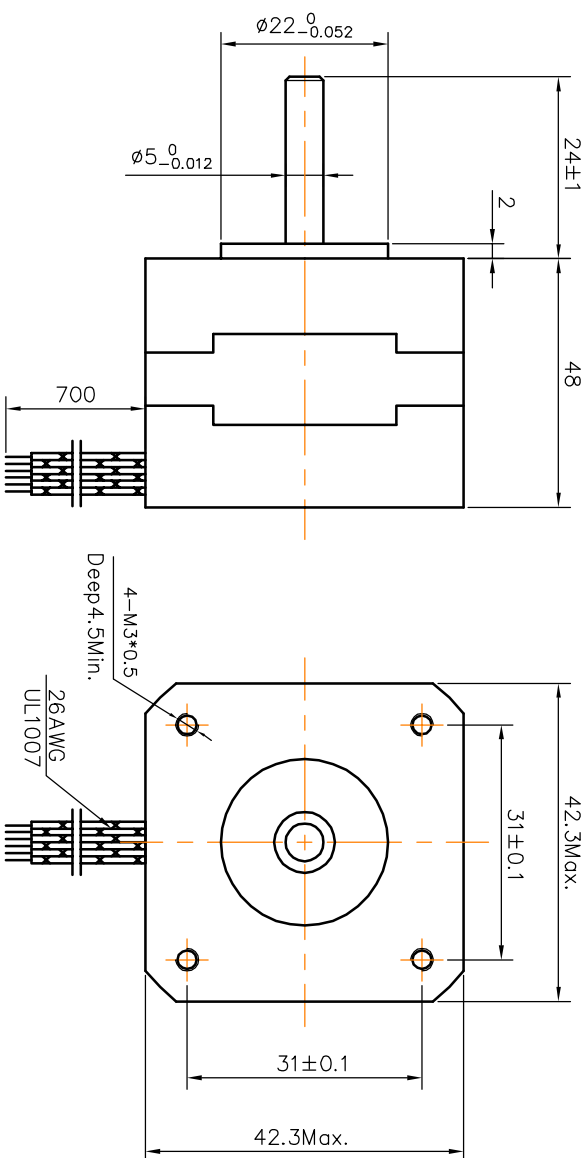
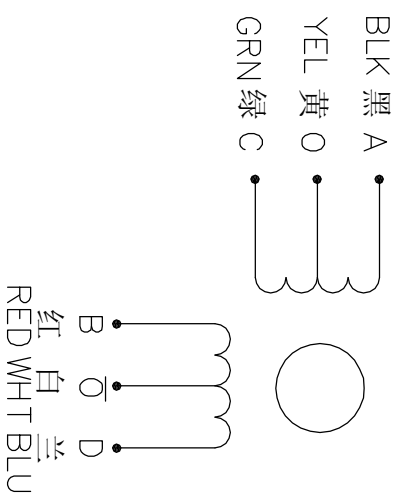


Dimension:
Unit=mm



Wiring Diagram:



Specifications:

相数	Phase	4	Comment
步距角	Step Angle	0.9	deg.
电压	Voltage	12	V
相电流	Current	0.4	A
相电阻	Resistance	30	Ω
相电感	Inductance	38	mH
静力矩	Holding Torque	3.17	kg.cm
绝缘等级	Insulation Class	B	
重量	Mass	0.34	kg

Title:		Specification		GD42STH47-0406MA	
REV.	QTY.	No.	STD.	SIG.	DATE
DESIGN					
CHECK					
PROC.			APPR.		
PAGE: OF PAGES					