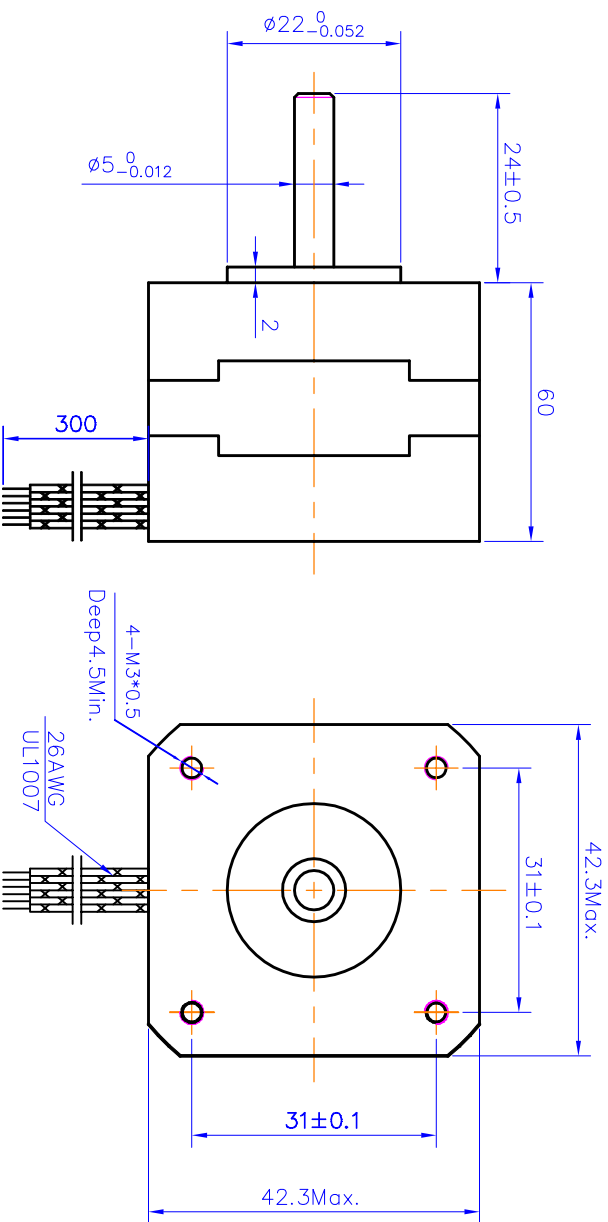
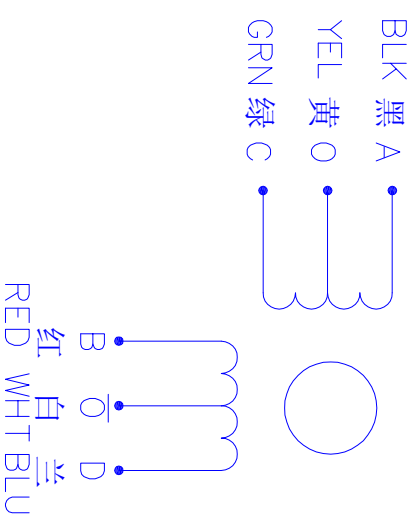


Dimension:
Unit:mm



Wiring Diagram:



Specifications:

相数	Phase	4	Comment
步距角	Step Angle	1.8	deg.
电压	Voltage	7.2	V
相电流	Current	1.2	A
相电阻	Resistance	6	Ω
相电感	Inductance	7	mH
静力矩	Holding Torque	6.5	kg.cm
绝缘等级	Insulation Class	B	
重量	Mass	0.5	kg

REV.	QTY.	No.	STD.	SIG.	DATE	CLS.MAK	WEIGHT	SCALE	PAGE:	OF	PAGES
DESIGN											
CHECK											
PROC.			APPR.								

Title:

Specification

GD42STH60-1206A