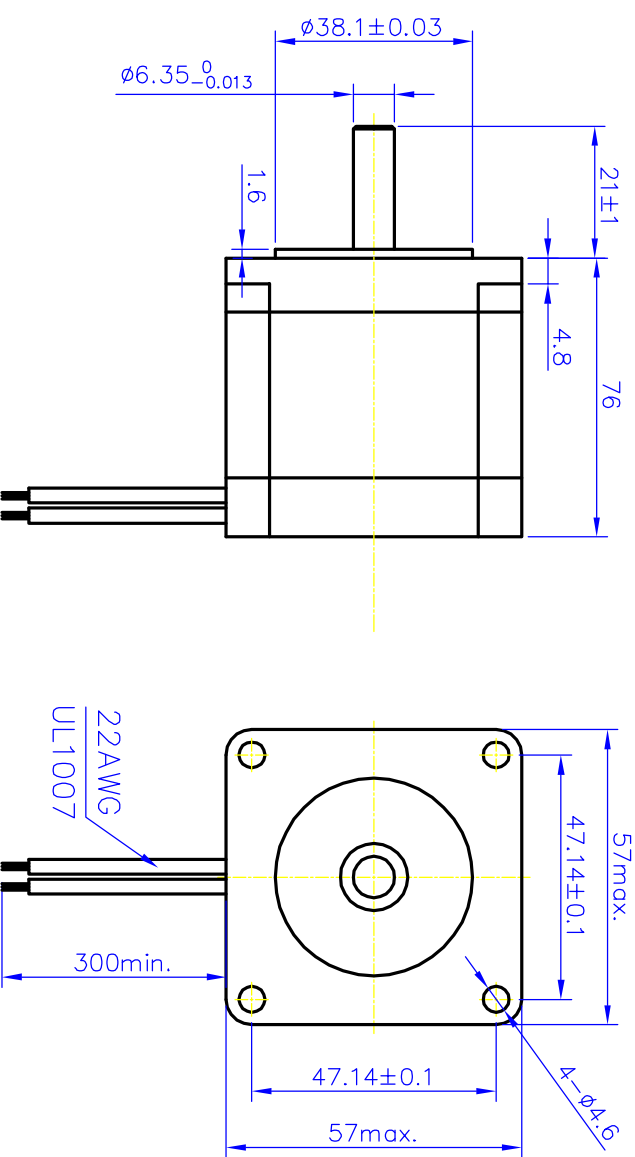
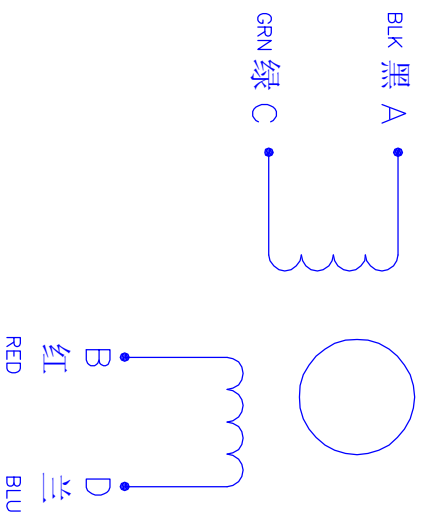


Dimension:
Unit=mm



Wiring Diagram:



Specifications:

相数	Phase	2	Comment
步距角	Step Angle	0.9	
电压	Voltage	3.2	
相电流	Current	2.8	
相电阻	Resistance	1.15	Ω
相电感	Inductance	5.6	mH
静力矩	Holding Torque	18	kg.cm
绝缘等级	Insulation Class	B	
重量	Mass	1.1	kg

REV.	QTY.	No.	STD.	SIG.	DATE	Title: Specification		CLS.MAK		WEIGHT SCALE		GD57STH76-2804MA	
DESIGN													
CHECK													
PROC.			APPR.					PAGE: OF PAGES					