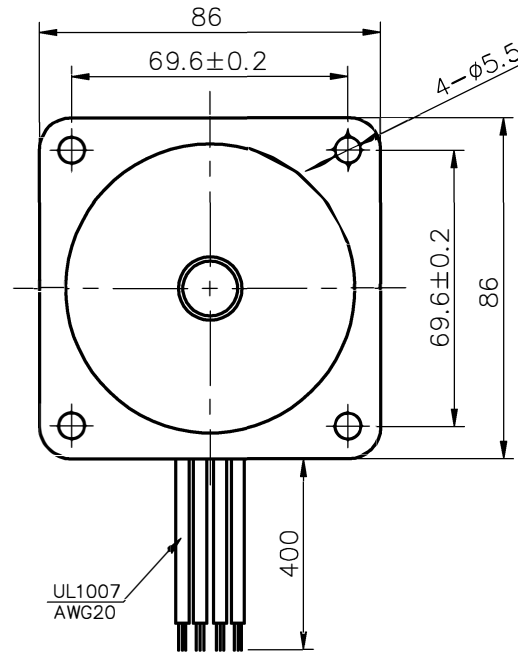
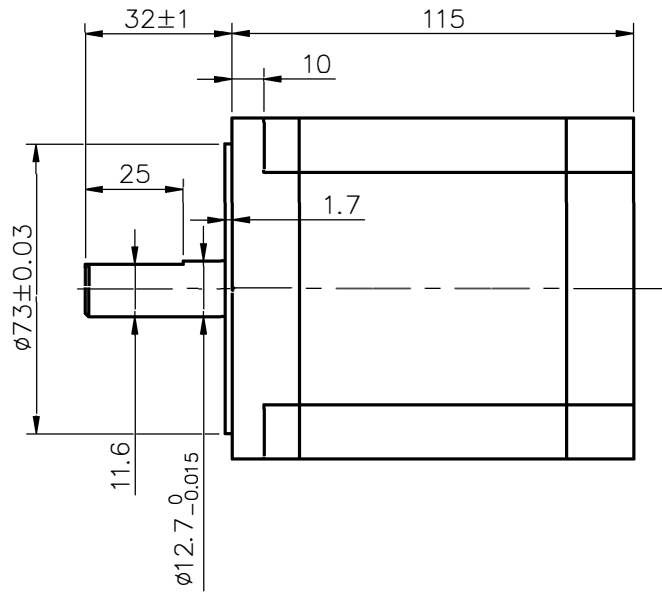
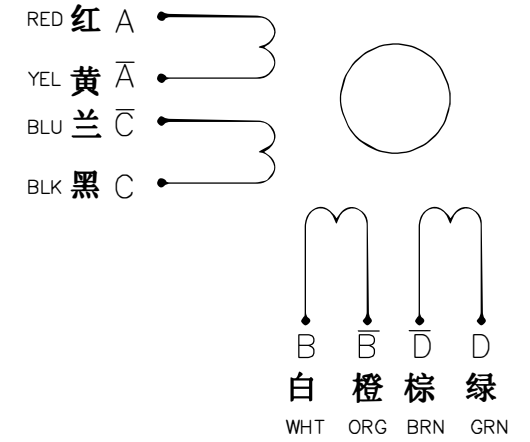


Dimension:
Unit=mm



Wiring Diagram:



Specifications:

Phase	相数	4			
Step Angle	步距角	1.8			deg.
	接线方式	PARALLEL	UNIPOLAR	SERIES	
Voltage	电压	2.7	3.78	5.3	V
Current	相电流	5.88	4.2	2.94	A
Resistance	相电阻	0.45	0.9	1.8	±10%Ω
Inductance	相电感	6	6	24	±20%mH
Holding Torque	静力矩	87	61	87	kg.cm
Insulation Class	绝缘等级	B			
Mass	重量	3.8			kg

				Title:			
				Specification			
REV.	QTY.	No.	SIG.	DATE			GD86STH118-4208A
DESIGN		STD.			CLS.MAK	WEIGHT SCALE	
CHECK							
PROC.		APPR.			PAGE: OF PAGES		