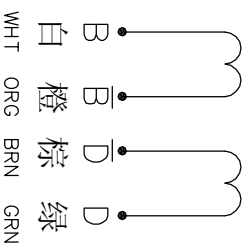
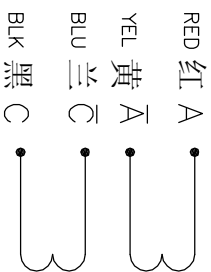
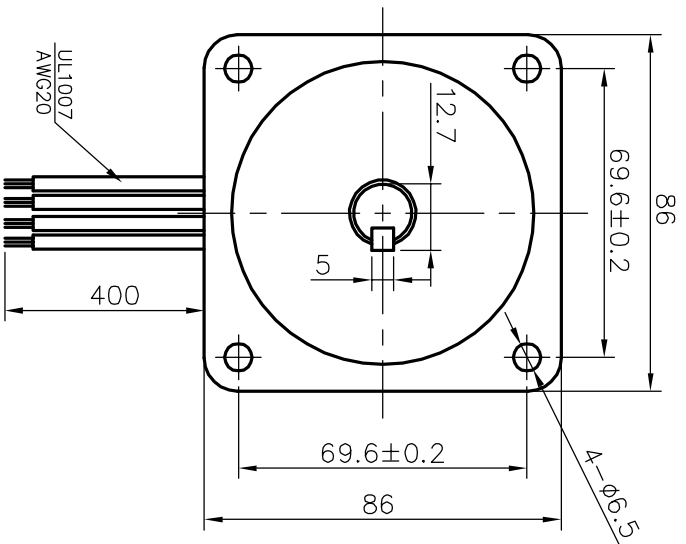
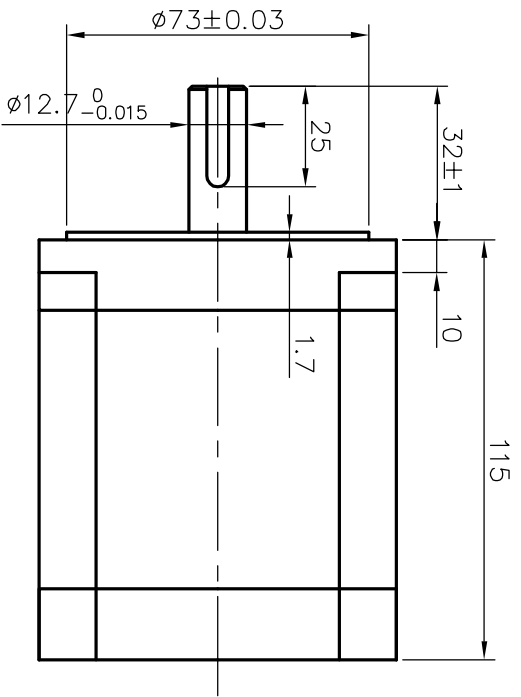


Dimension:  
Unit=mm



Wiring Diagram:

Specifications:

Phase	相数	4			
Step Angle	步距角	1.8			deg.
接线方式	PARALLEL	UNIPOLAR	SERIES		
Voltage	电压	2.7	3.78	5.3	V
Current	相电流	5.88	4.2	2.94	A
Resistance	相电阻	0.45	0.9	1.8	Ω
Inductance	相电感	6	6	24	mH
Holding Torque	静力矩	87	61	87	kg·cm
Insulation Class	绝缘等级	B			
Mass	重量	3.8			kg

REV. QTY.	No.	STD.	SIG.	DATE	Title: Specification	CL.S. MAK	WEIGHT SCALE	GD86STH118-4208A
DESIGN								
CHECK					PAGE:    OF PAGES			
PROC.		APPR.						