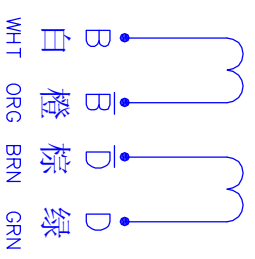
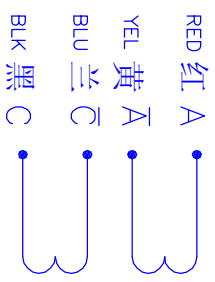
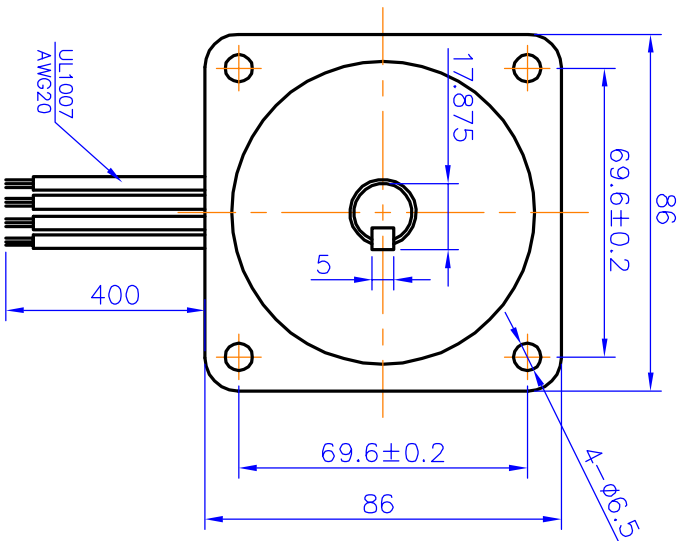
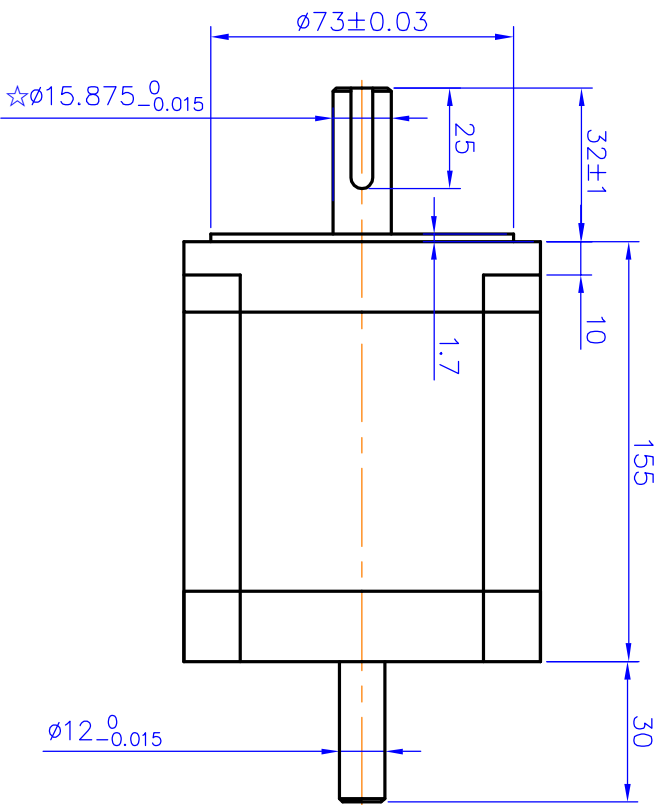


Dimension:
Unit=mm



Wiring Diagram:

Specifications:

Phase	相数	4			
Step Angle	步距角	1.8			deg.
接线方式	PARALLEL	UNIPOLAR	SERIES		
Voltage	电压	3.67	5.25	7.35	V
Current	相电流	5.88	4.2	2.94	A
Resistance	相电阻	0.625	1.25	2.5	Ω
Inductance	相电感	8	8	32	mH
Holding Torque	静力矩	12.2	8.5	12.2	N.m
Insulation Class	绝缘等级	B			
Mass	重量	5.3			kg

REV. QTY.	No.	SIG.	DATE	Title: Specification	GD86STH156-4208B
DESIGN		STD.			
CHECK				CLS.MAK	WEIGHT SCALE
PROC.		APPR.		PAGE: OF PAGES	