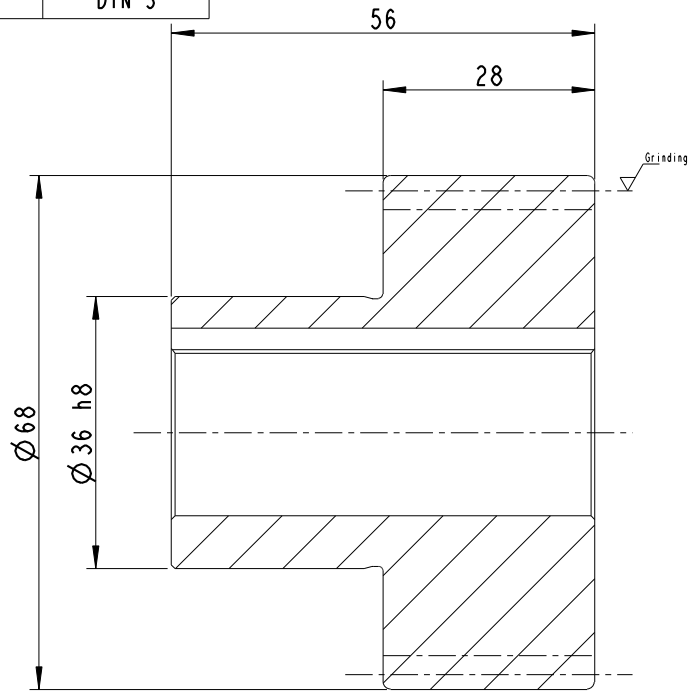
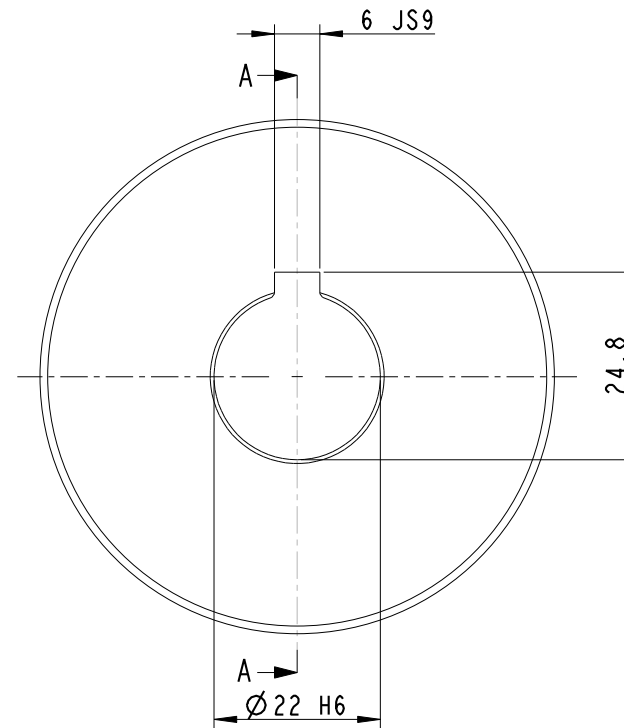

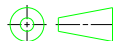


Normal module	Mn	2
Number of teeth	z	32T
Normal pressure angle	an	20°
Helix angle	b	Straight
Pitch circle diameter	d	64
Working pitch diameter	dw	64
Addendum modification factor	x	0
Root diameter	dr	59
Gear quality		DIN 5



SECTION A-A



ORDER CODE		F02132B22		 APEX DYNAMICS, INC.	
APPROVALS	DATE	TITLE			
DRAWN	沈正義	M2-32T			
CHECKED		DWG NO.			
APPROVED		F02132B22			
				SIZE	REV
				A4	1:1