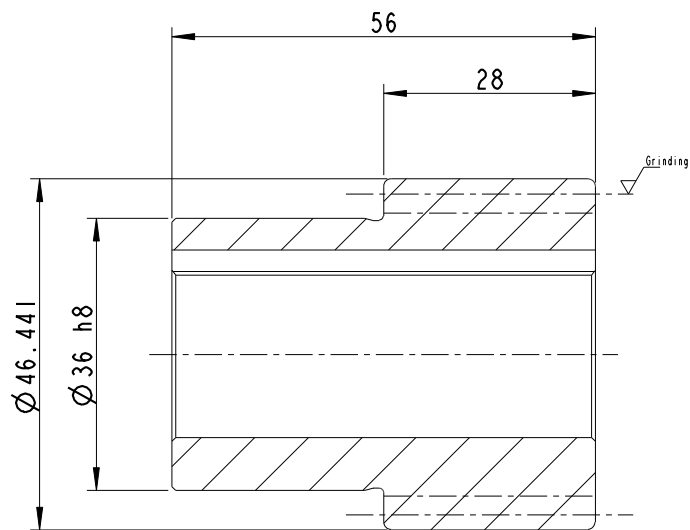
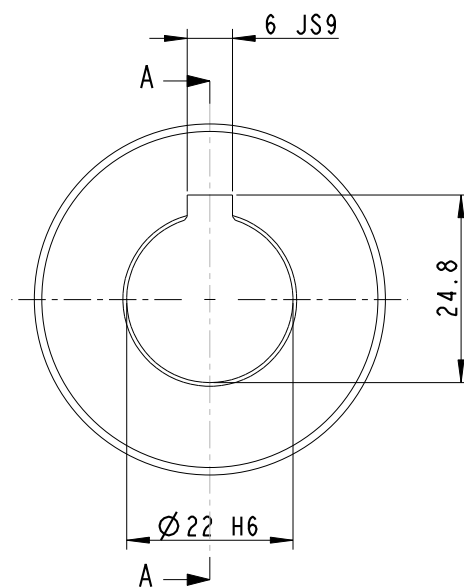

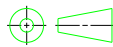


Normal module	Mn	2
Number of teeth	z	20T
Normal pressure angle	an	20°
Helix angle	b	19°31'42"LH
Pitch circle diameter	d	42.441
Working pitch diameter	dw	42.441
Addendum modification factor	x	0
Root diameter	dr	37.441
Gear quality		DIN 5



SECTION A-A



PART NO.		F02L20B22		 APEX DYNAMICS, INC.	
APPROVALS	DATE	TITLE			
DRAWN	姚景翔	M2-20T			
CHECKED		DWG NO.			
APPROVED		F02L20B22			
			SIZE	SCALE	REV
			A4	1:1	