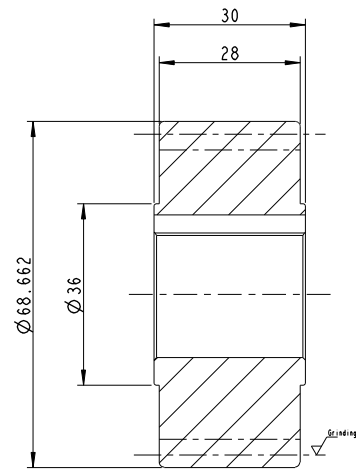
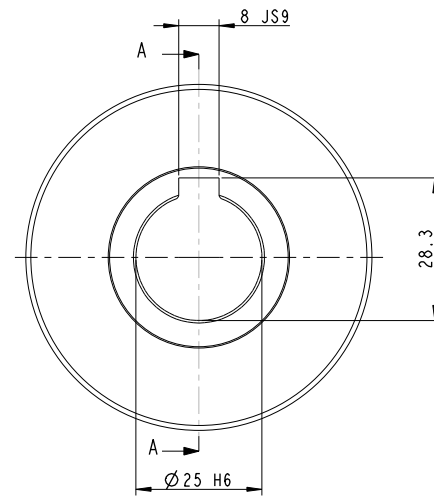

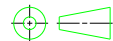


Normal module	Mn	2.5
Number of teeth	z	24T
Normal pressure angle	an	20°
Helix angle	b	19°31'42"LH
Pitch circle diameter	d	63.662
Working pitch diameter	dw	63.662
Addendum modification factor	x	0
Root diameter	dr	57.412
Gear quality		DIN 5



SECTION A-A



PART NO.		 <b>APEX DYNAMICS, INC.</b>		
F2JL24A25		TITLE		
APPROVALS	DATE	M2.5-24T		
DRAWN	沈正巍	DWG NO.		
CHECKED		F2JL24A25		
APPROVED			SIZE A3	SCALE 1:1
			REV	